

wandel

OUR NAME



**WANDEL ENGINEERING &
IND SUPPLIERS S/B**



WHAT WE DO ?

FACTORY'S AUTOMATION

TO INCREASE :
PRODUCTIVITY
QUALITY

HELP CUSTOMER TO INCREASE
PRODUCTION OUTPUT, REDUCE
MANPOWER, REDUCE REJECT RATE





**COMPANY'S AGE
24 YEARS OLD**



wandel



OUR LOCATIONS
SENAI PLANT
SKUDAI PLANT
KULAI PLANT





OUR MACHINES

29 UNITS

MILLING

TURNING

GRINDING

CUTTING

TAPPING



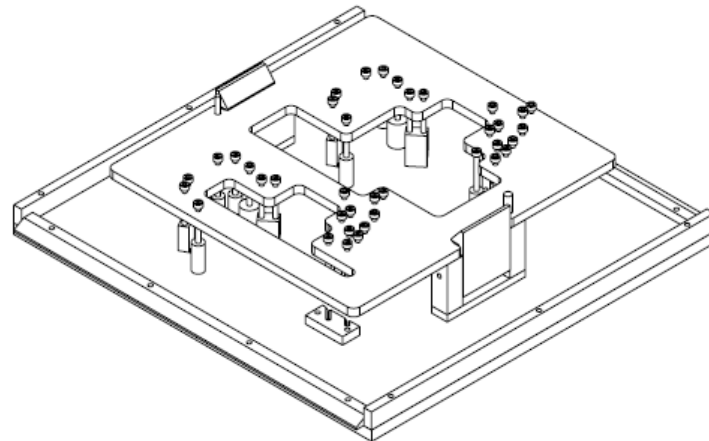
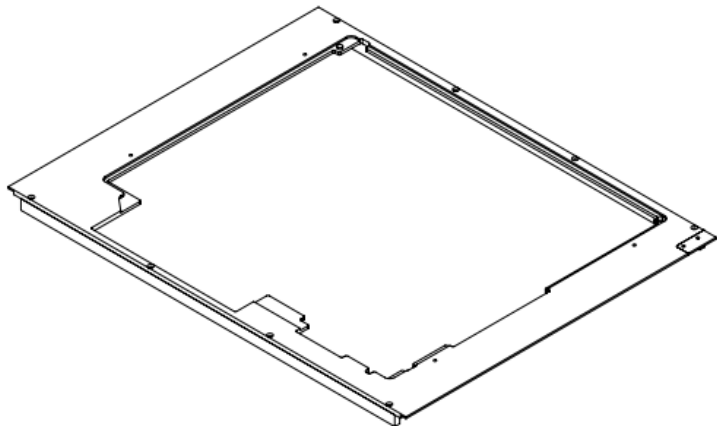
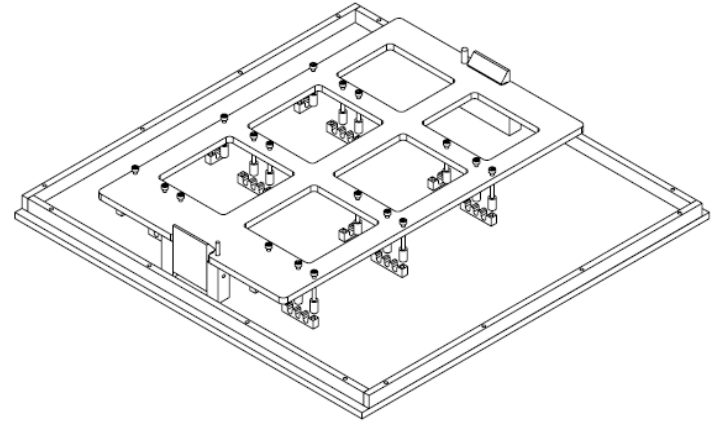
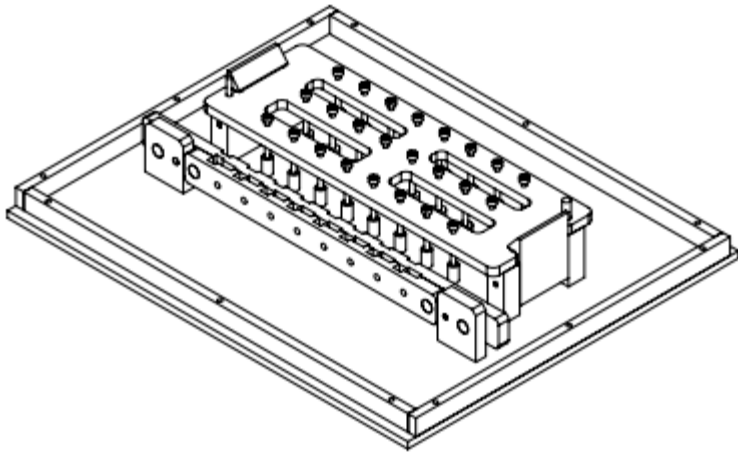


60 STAFFS
SALE, DESIGN,
PRODUCTION, ASSEMBLY,
ELECTRICAL, SOFTWARE,
PURCHASING, QA,
DELIVERY, MANAGEMENT



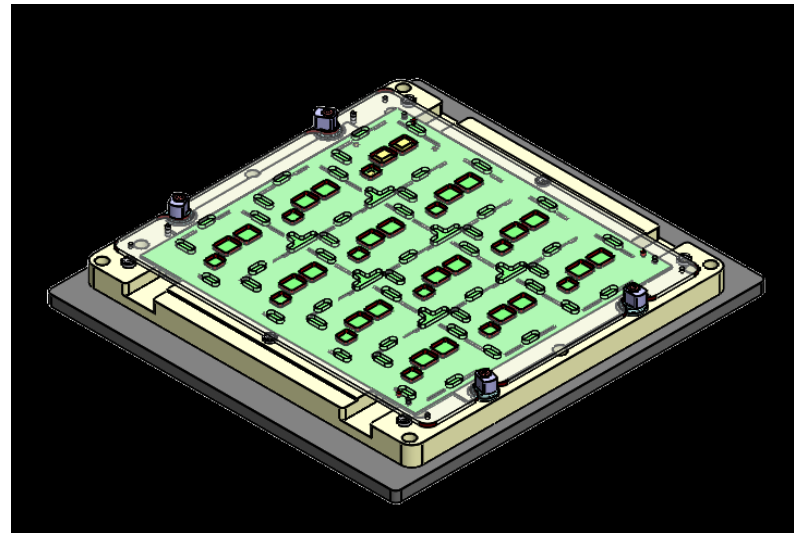
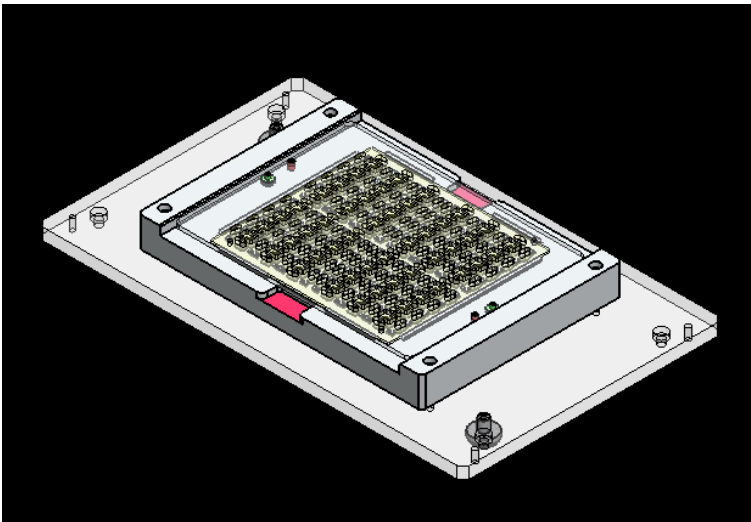
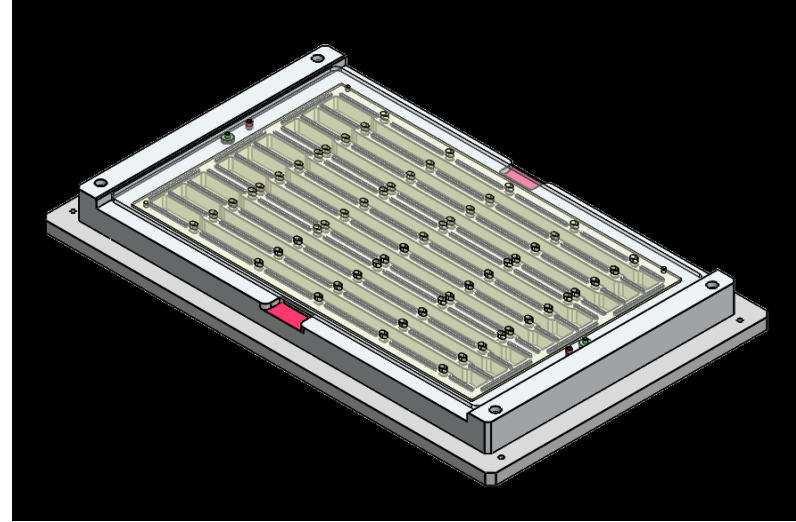
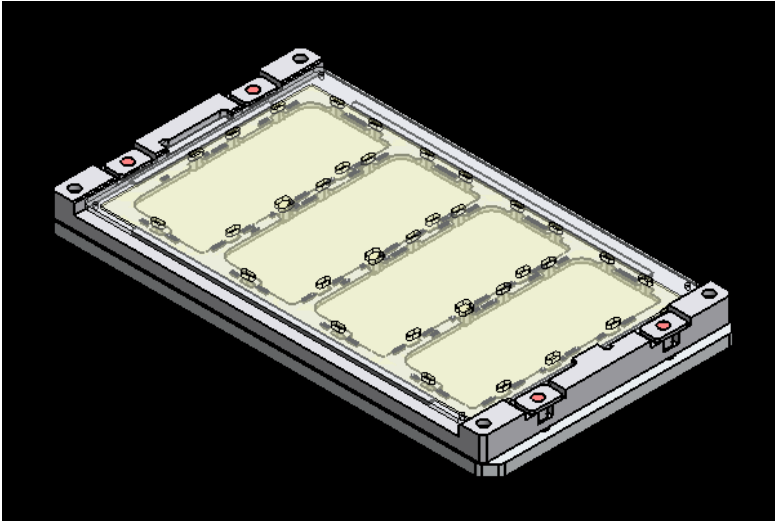


PALLET / CARRIAGE



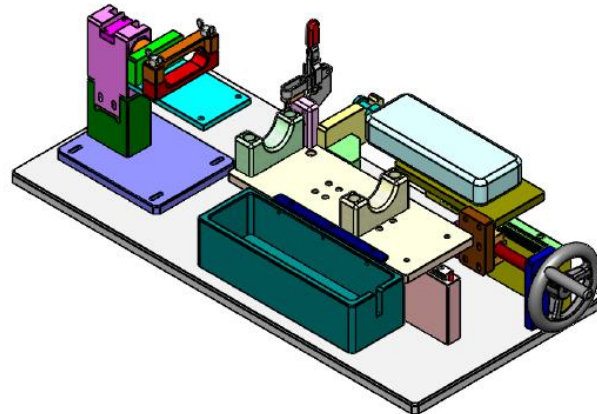
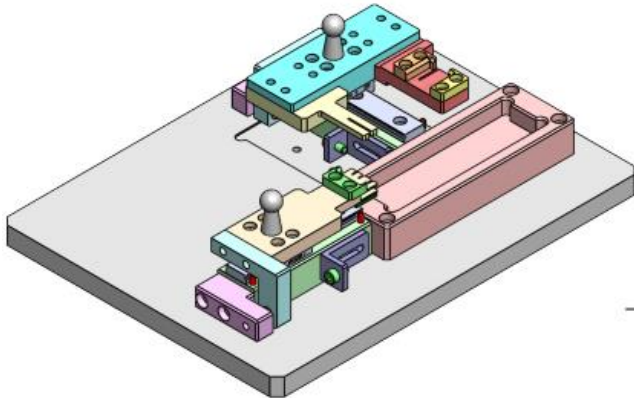
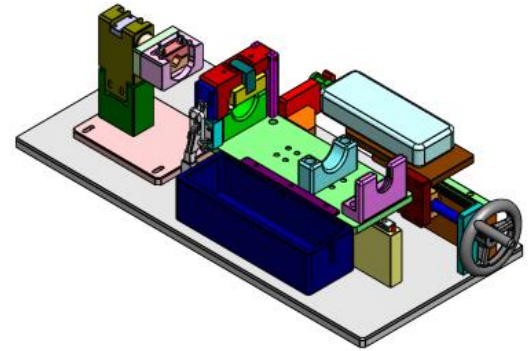
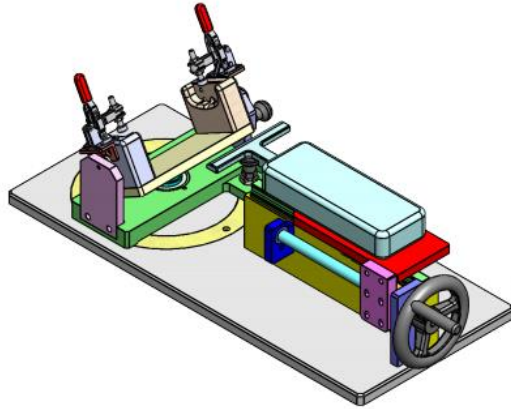
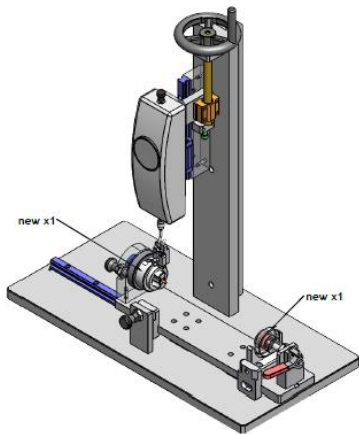


ROUTING JIG



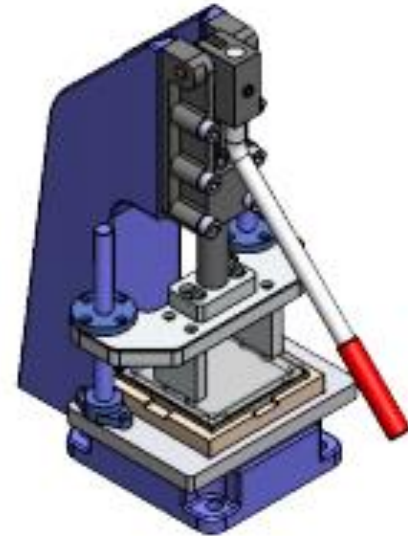
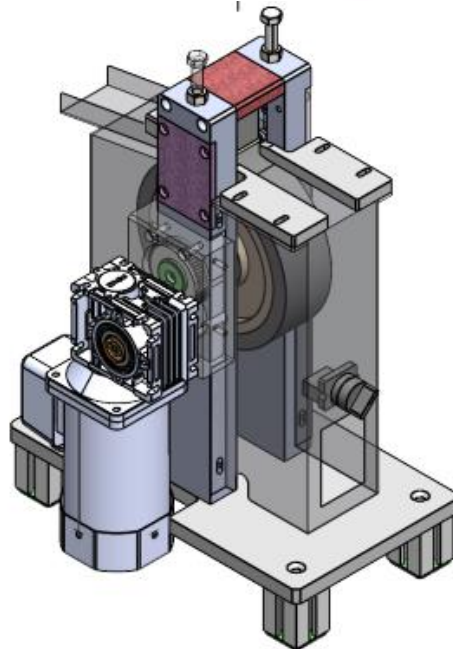
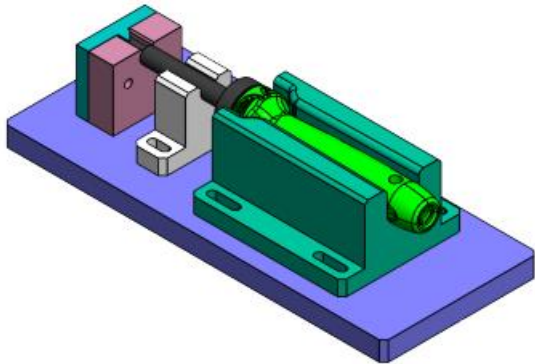
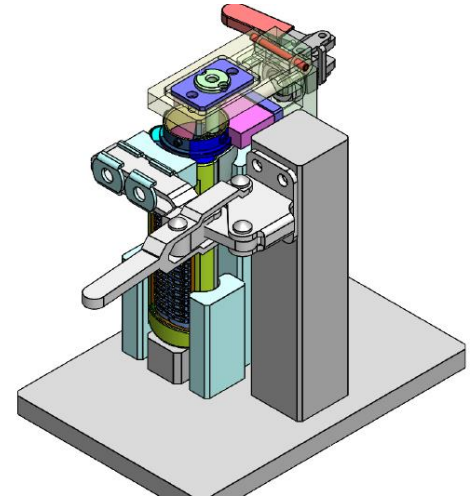
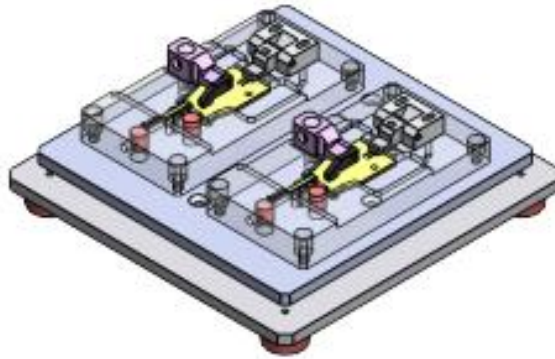
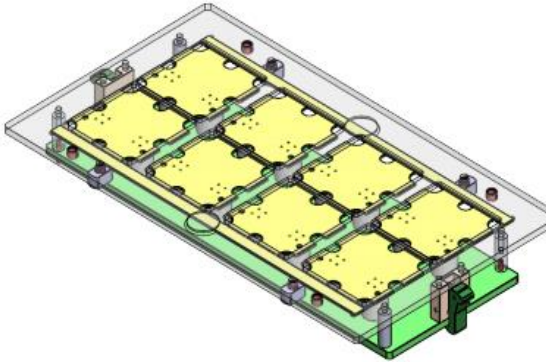


MEASUREMENT TOOL & CTQ JIG



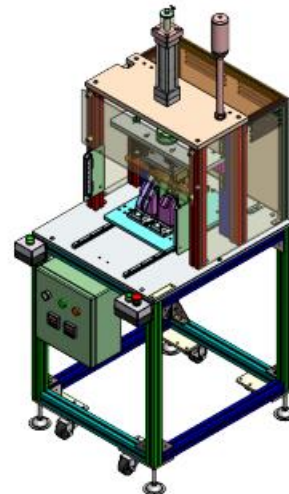
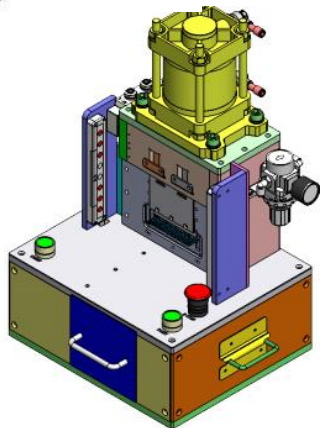
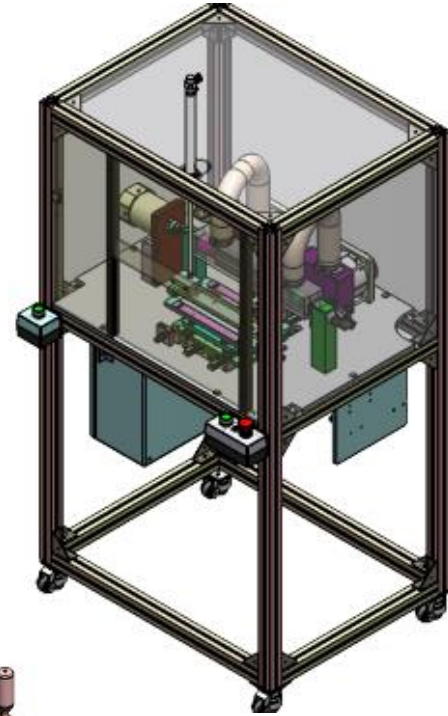
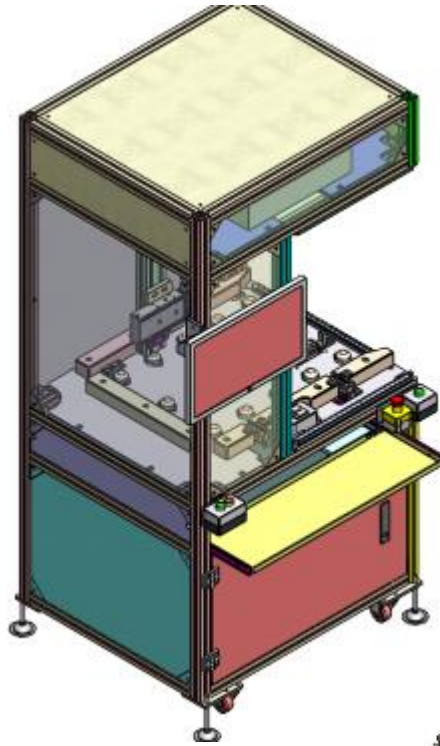
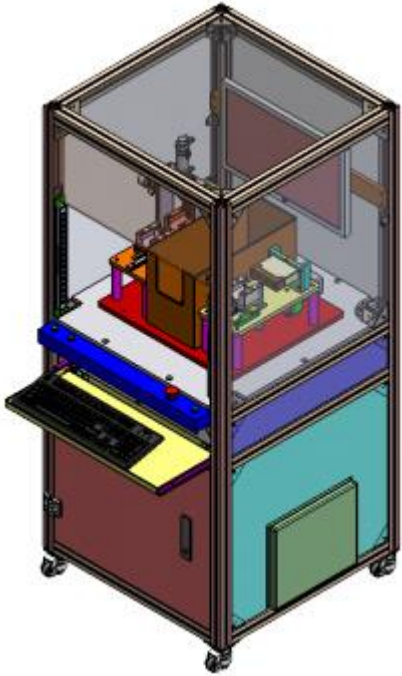


BOX BUILD ASSEMBLY JIG & FIXTURE





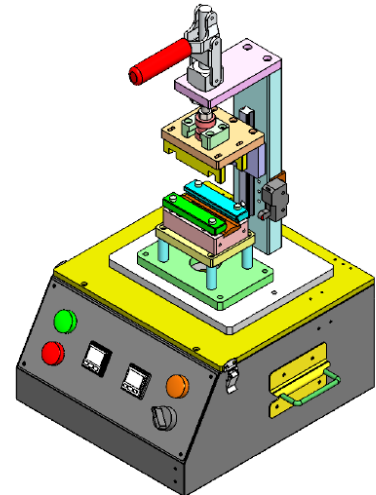
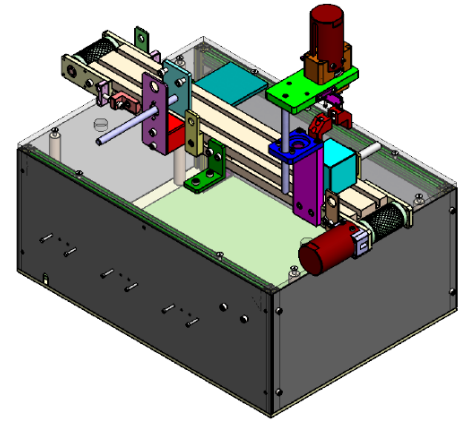
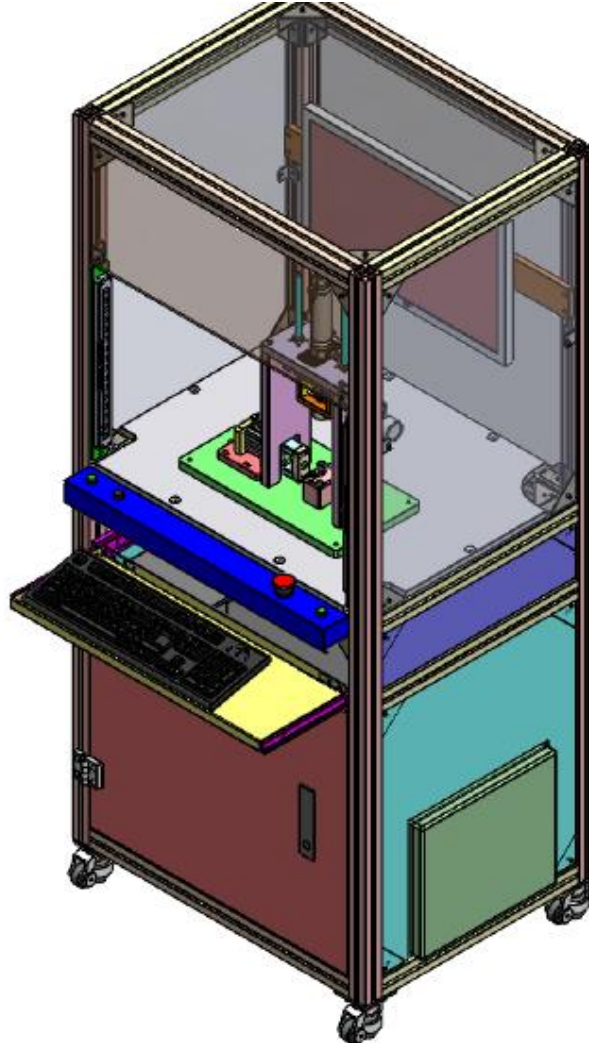
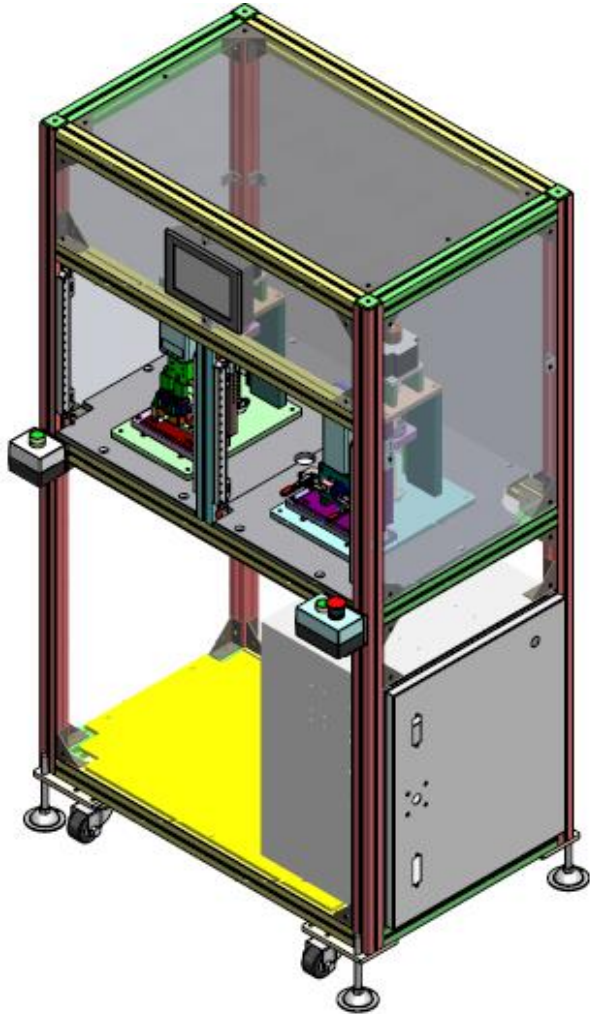
CUSTOMIZE MACHINE.



wandel



TESTER





OUR PRODUCT EXPERIENCE

- One stop engineering solutions (Analysis, design, fabrication, assembly and commissioning)
- **PCBA**
 - 1) Wave Pallet / carriage.
 - 2) Routing jig.
 - 3) Auto soldering jig.
 - 4) Tampo printing Jig.
 - 5) Lever press jig.
 - 6) Assembly & holding jig & fixture.
 - 7) Measurement tool & CTQ jig.
 - 8) Connectors insertion jig.
 - 9) Spray jig
 - 10) Cutting jig.
 - 11) Forming jig.
 - 12) Component pick up tray



The logo for 'wandel' is displayed in a white, lowercase, sans-serif font on a teal rectangular background.

- **Box build - Customize machine/Tester.**

- 1) Water flow rate machine.
- 2) Vision Inspection machine.
- 3) Degating machine.
- 4) Heat stack machine.
- 5) leak test tester.
- 6) Cutting machine.
- 7) Pull tester.
- 8) Sealing machine.
- 9) Trimming machine.
- 10) Gluing machine.
- 11) Impact tester.
- 12) Irradiance tester.
- 13) Water purging machine.
- 14) Gap measurement machine.
- 15) Dynamic tester.
- 16) Hipot tester.

- **Robot solution.**



wandel



OUR CUSTOMERS

> **20** CUSTOMERS (MNC)

- DYSON
- FLEXTRONICS
- HEWLETT-PACKARD **hP**
- CALESTICA
- KAIFA
- VENTURE ETC...
- **NEXT ONE IS YOU**





Thank You

